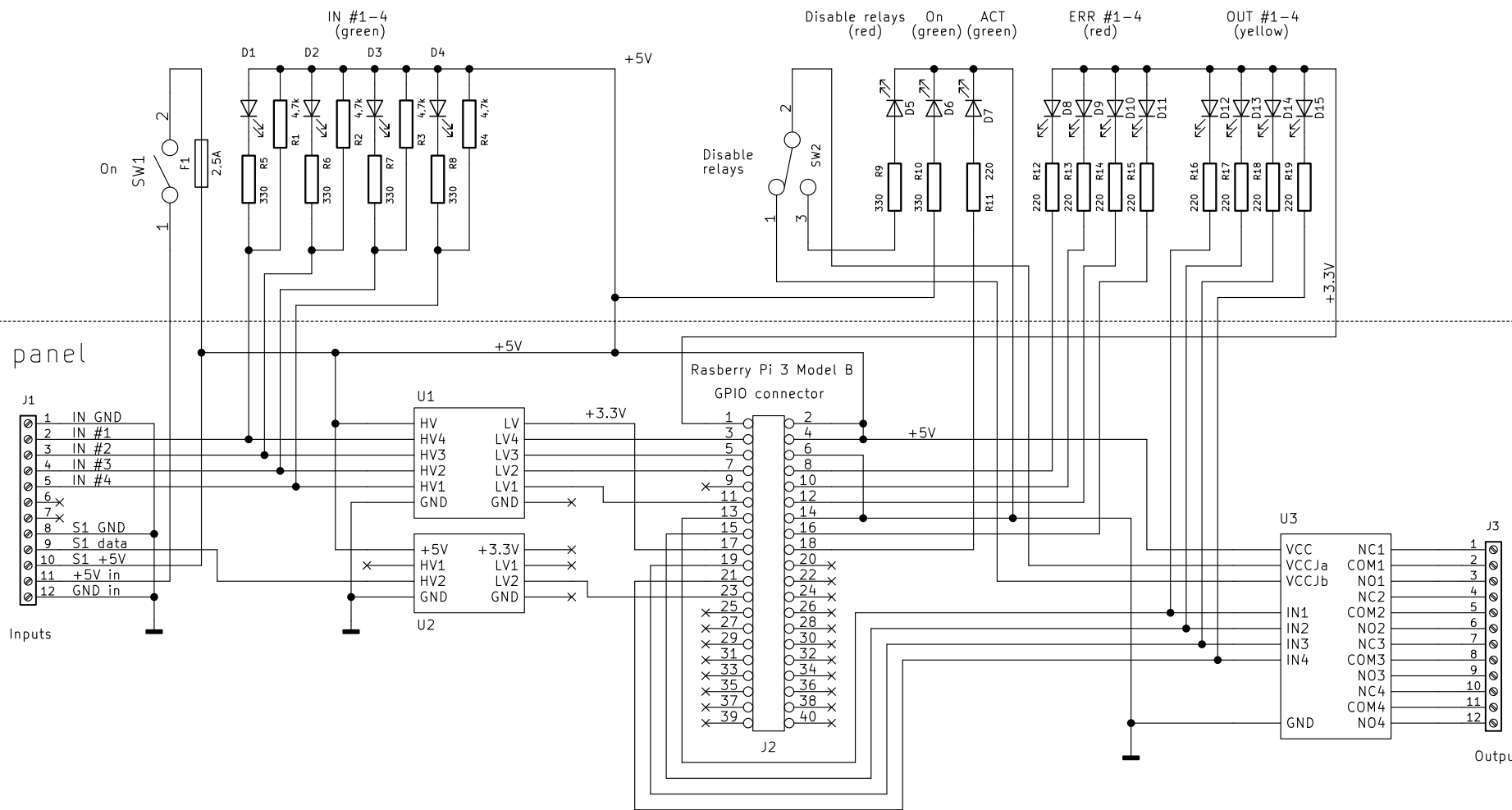


Front panel

Base panel



J1

1	IN GND
2	IN #1
3	IN #2
4	IN #3
5	IN #4
6	X
7	X
8	S1 GND
9	S1 data
10	S1 +5V
11	+5V in
12	GND in

Inputs

J3

1	VCC
2	NC1
3	COM1
4	NO1
5	NC2
6	COM2
7	NO2
8	NC3
9	COM3
10	NO3
11	COM4
12	NO4

Outputs

